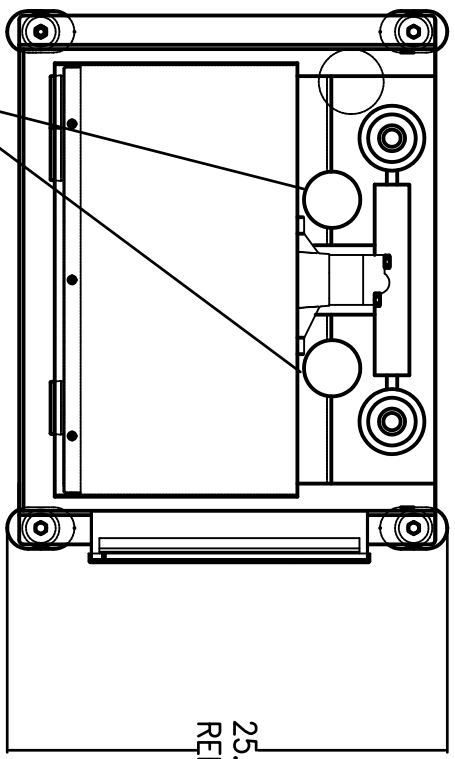


4

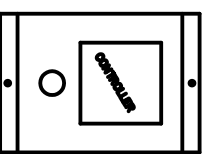
3

2

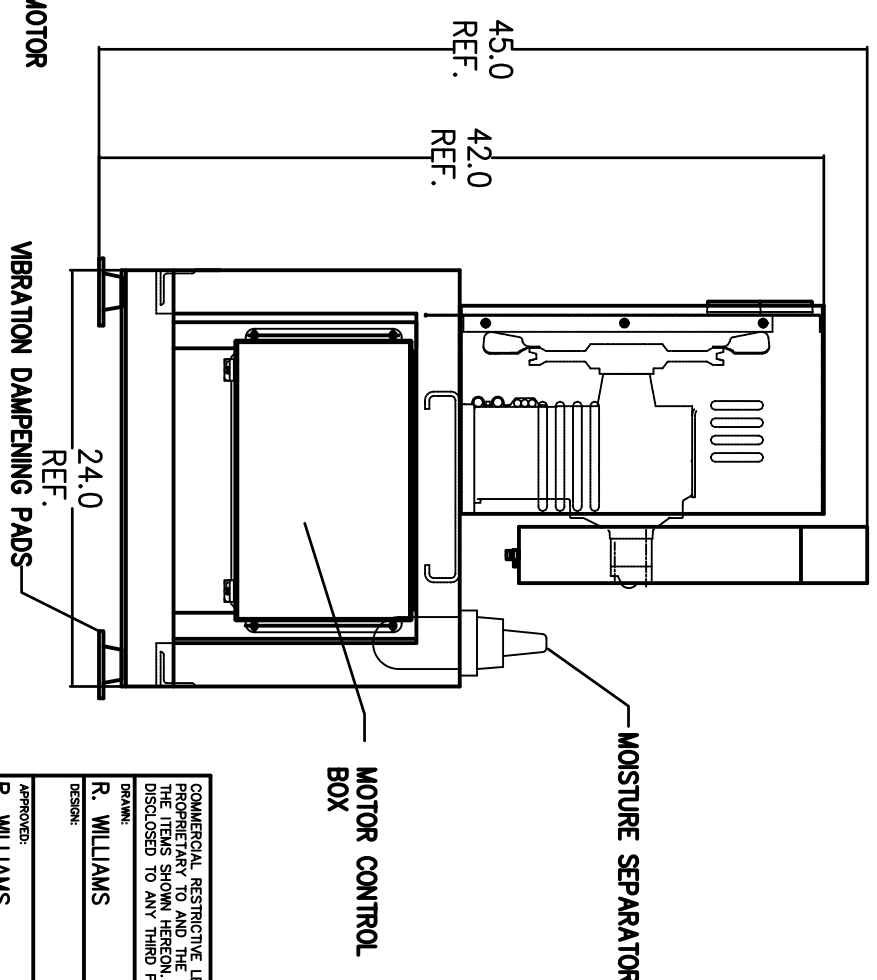
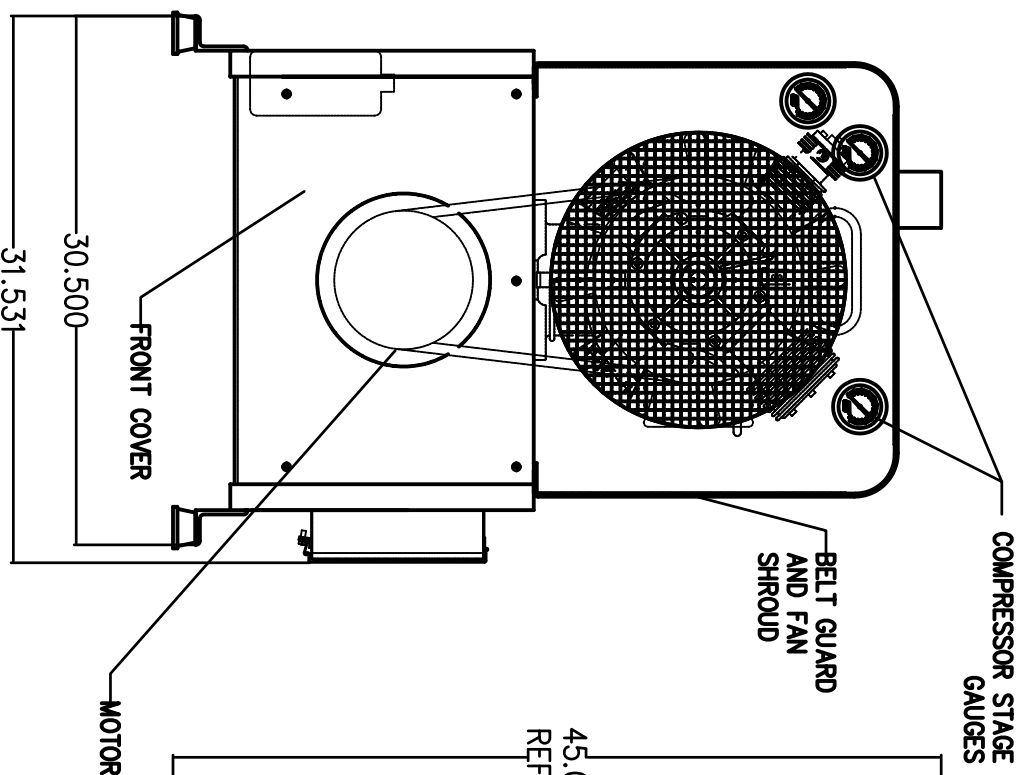
1



CONTROLLER IS WALL MOUNTED
WHEN COMPRESSOR IS PURCHASED
WITHOUT A CHARGE STATION.



REVISIONS			
REV.	DESCRIPTION	DATE	APPROVED
-	RELEASE ECN XXXXXX	1-16-04	R. WILLIAMS



P/N SERIES AB10-650X-XX AND
AB10-660X-XX

COMMERCIAL RESTRICTIVE LEGEND - ALL ITEMS, ASSEMBLIES, SPECIFICATIONS AND DIMENSIONS INCLUDED ON THIS DRAWING ARE PROPRIETARY TO AND THE PROPERTY OF SCOTT TECHNOLOGIES, INC. AND MAY NOT BE USED TO MANUFACTURE OR REPRODUCE THE ITEMS SHOWN HEREON, THE CONTENTS OF THIS DRAWING IN WHOLE OR IN PART, ARE NOT TO BE USED, REPRODUCED, OR DISCLOSED TO ANY THIRD PARTY WITHOUT OBTAINING THE EXPRESS WRITTEN AUTHORIZATION OF SCOTT TECHNOLOGIES, INC.

SCOTT®
SCOTT HEALTH AND SAFETY
MONROE CORPORATE CENTER
4320 GOLDMINE ROAD
MONROE, NORTH CAROLINA 28110

TITLE:
**SIMPLE AIR WITH 5 OR 7.5
HORSEPOWER MOTOR**

DESIGNER: R. WILLIAMS	APPROVED: R. WILLIAMS	1-16-04	1-16-04
DECIMAL .XX ±.01	ANGLE ±1/2°	UNLESS OTHERWISE SPECIFIED: DIMENSIONS ARE IN INCHES. ALL DIMENSIONS AFTER PLATING. BREAK ALL SHARP EDGES ON EXTERNAL SURFACES.	

SIZE C	DATE CODE 15927	DRAWING NO. XXXXXXXXXXXXXX	REV. -
SCALE 1/1	SHEET 1	OF 1	

A

B

C

D

4

3

2

1

A

B

C

D