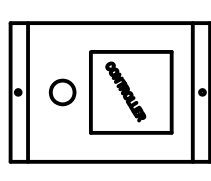
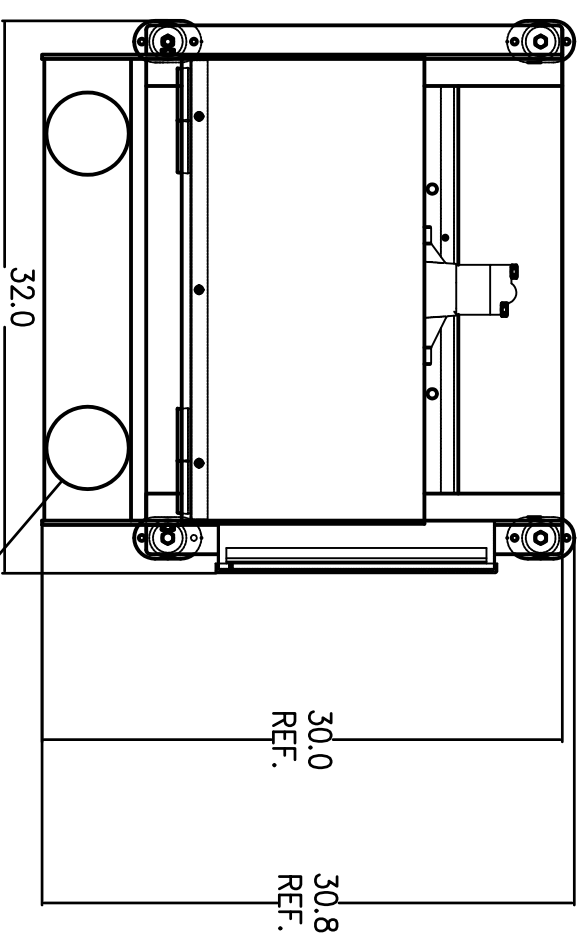


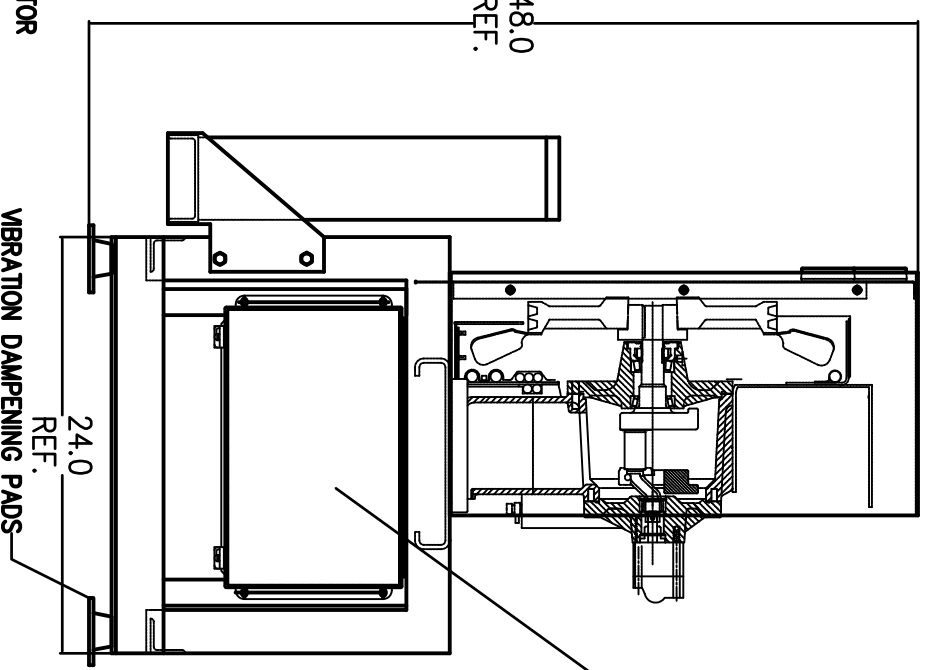
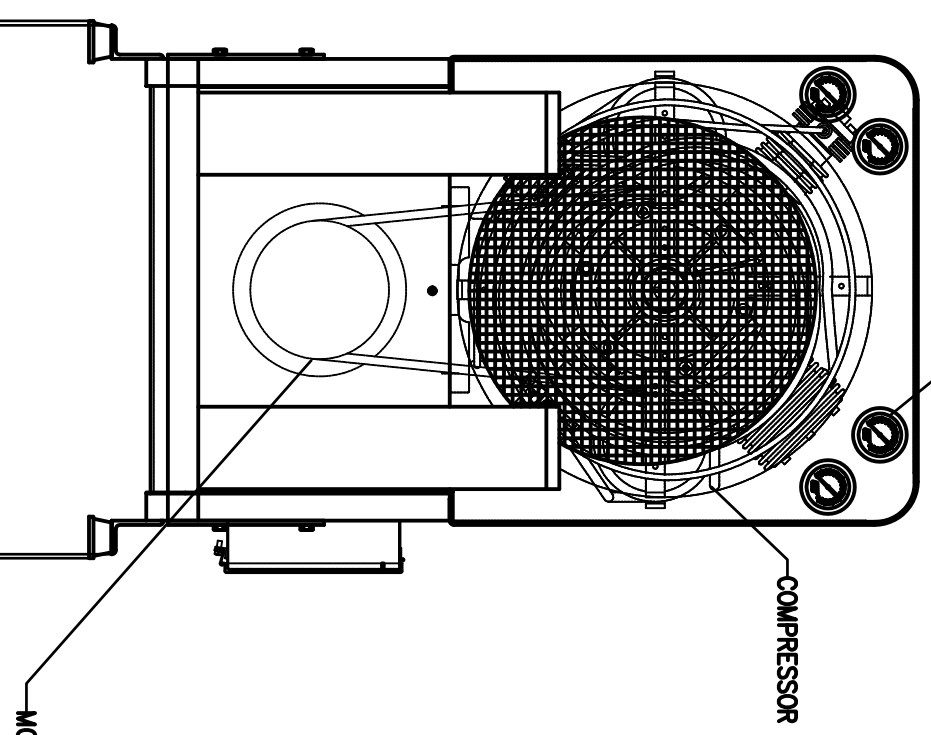
REVISIONS			
REV.	DESCRIPTION	DATE	APPROVED
-	RELEASE ECN XXXXXX	1-13-04	R. WILLIAMS



CONTROLLER IS WALL MOUNTED
WHEN COMPRESSOR IS PURCHASED
WITHOUT A CHARGE STATION.



COMPRESSOR STAGE
GAUGES



P/N SERIES AB10-660X-XX

COMMERCIAL RESTRICTIVE LEGEND - ALL ITEMS, ASSEMBLIES, SPECIFICATIONS AND DIMENSIONS INCLUDED ON THIS DRAWING ARE PROPRIETARY TO AND THE PROPERTY OF SCOTT TECHNOLOGIES, INC. AND MAY NOT BE USED TO MANUFACTURE OR REPRODUCE THE ITEMS SHOWN HEREON, THE CONTENTS OF THIS DRAWING IN WHOLE OR IN PART, ARE NOT TO BE USED, REPRODUCED, OR DISCLOSED TO ANY THIRD PARTY WITHOUT OBTAINING THE EXPRESS WRITTEN AUTHORIZATION OF SCOTT TECHNOLOGIES, INC.

DRAWN: R. WILLIAMS	1-13-04
DESIGN: R. WILLIAMS	1-13-04
APPROVED: R. WILLIAMS	

SCOTT®
SCOTT HEALTH AND SAFETY
MONROE CORPORATE CENTER
4320 GOLDMINE ROAD
MONROE, NORTH CAROLINA 28110

TITLE:
**SIMPLE AIR WITH 10
HORSEPOWER MOTOR**

SIZE C	CAGE CODE 15927	DRAWING NO. XXXXXXXXXXXXXX	REV. -
SCALE 1/1	SR. 1 OF 1		

