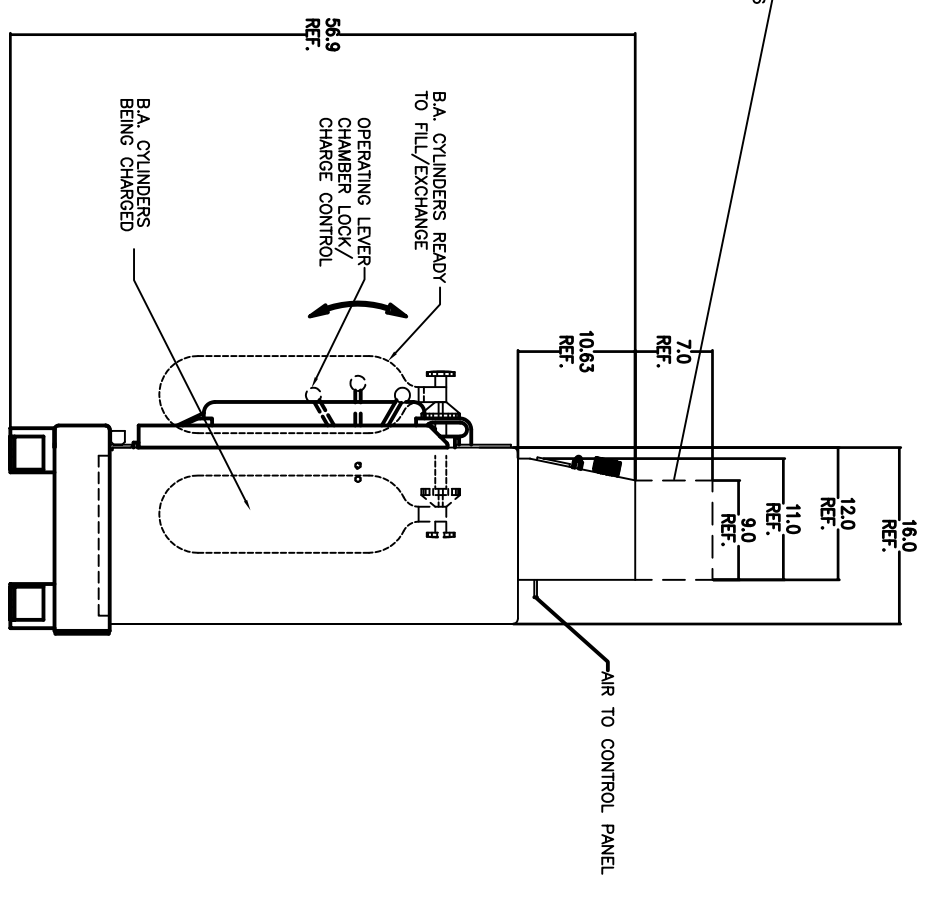
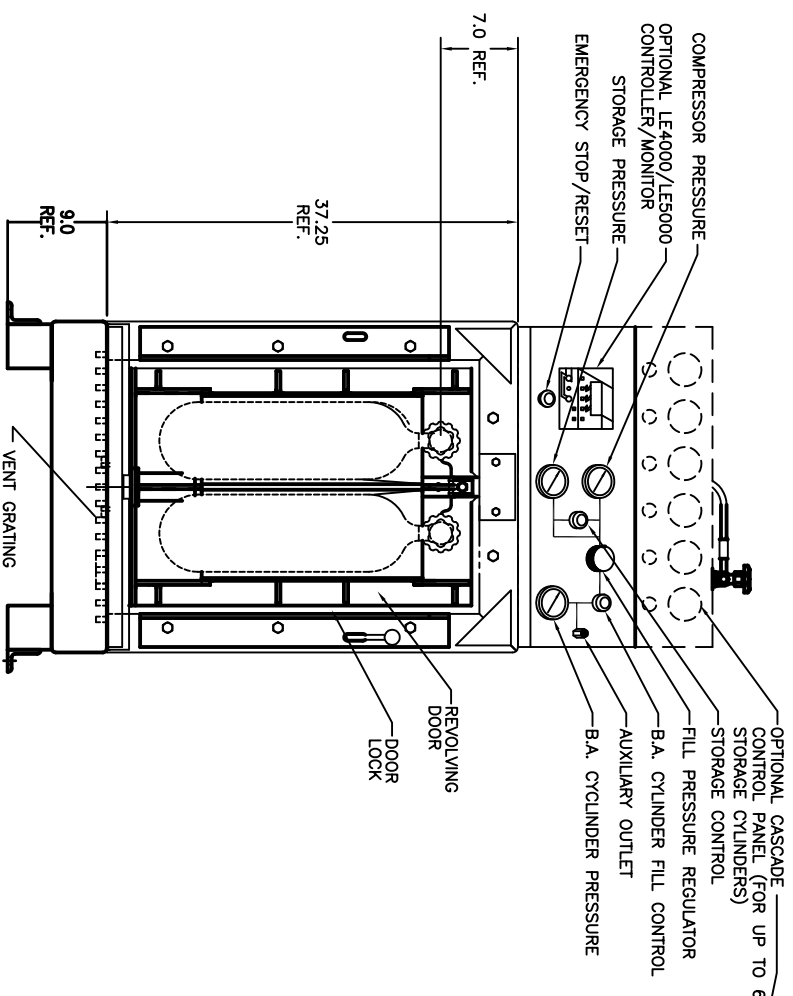
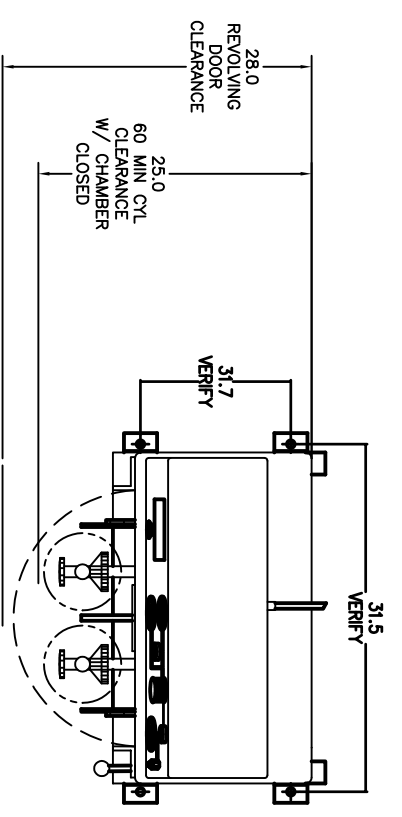


4 3 2 1

REVISIONS			
REV.	DESCRIPTION	DATE	APPROVED
-	PRE-PRODUCTION	XX/XX/XX	X.XXXXXX



COMMERCIAL RESTRICTIVE LEGEND - ALL ITEMS, ASSEMBLIES, SPECIFICATIONS AND DIMENSIONS INCLUDED ON THIS DRAWING ARE PROPRIETARY TO AND THE PROPERTY OF SCOTT TECHNOLOGIES, INC. AND MAY NOT BE USED TO MANUFACTURE OR DUPLICATE THE ITEMS SHOWN HEREON. THE CONTENTS OF THIS DRAWING IN WHOLE OR IN PART, ARE NOT TO BE USED, REPRODUCED, OR DISCLOSED TO ANY THIRD PARTY WITHOUT OBTAINING THE EXPRESS WRITTEN AUTHORIZATION OF SCOTT TECHNOLOGIES, INC.

DRAWN: R. WILLIAMS  
 DESIGN: R. WILLIAMS  
 APPROVED: R. WILLIAMS  
 DATE: 12-2-03

**SCOTT**  
 SCOTT HEALTH AND SAFETY  
 MONROE CORPORATE CENTER  
 4320 GOLDMINE ROAD  
 MONROE, NORTH CAROLINA 28110

TITLE: STATIONARY REVOLVEAIR CHARGE STATION, NO STORAGE  
 SIZE: C  
 CAGE CODE: 15927  
 DRAWING NO.: AB10-2021-XX  
 SCALE: 1/1  
 SHEET: 1 OF 1

