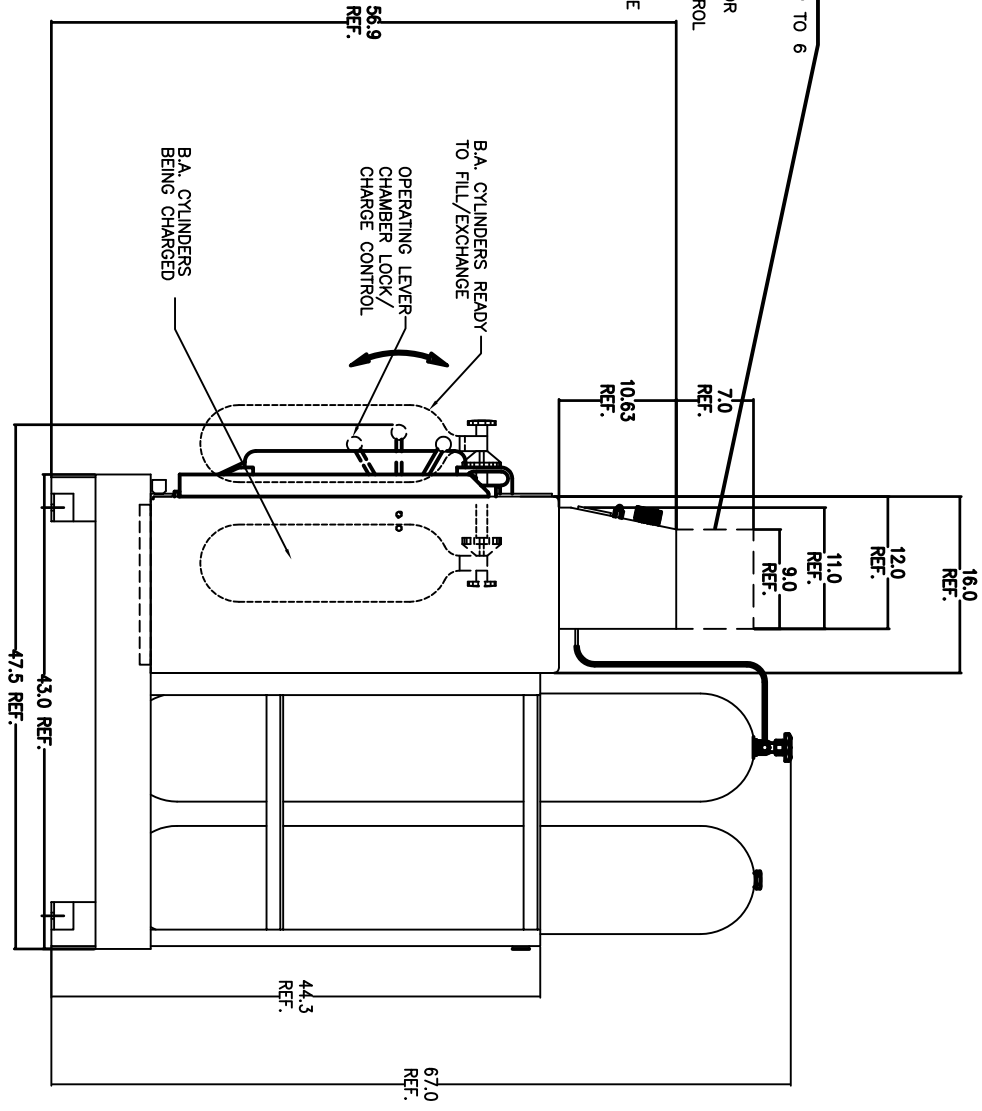
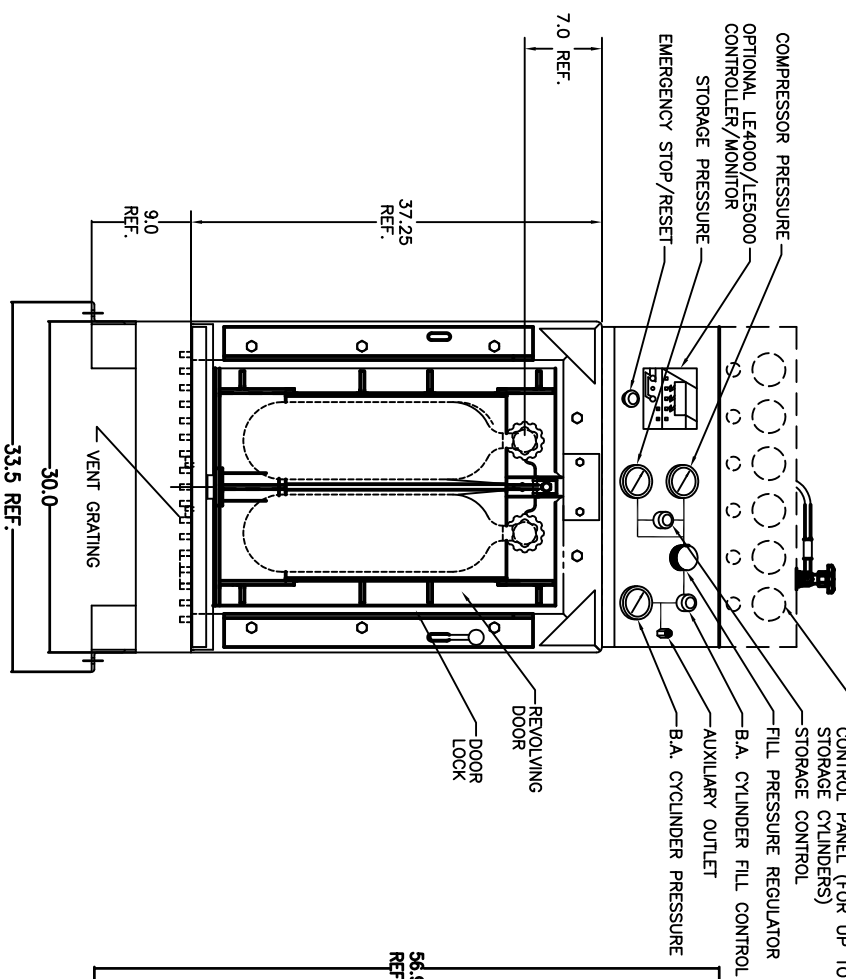
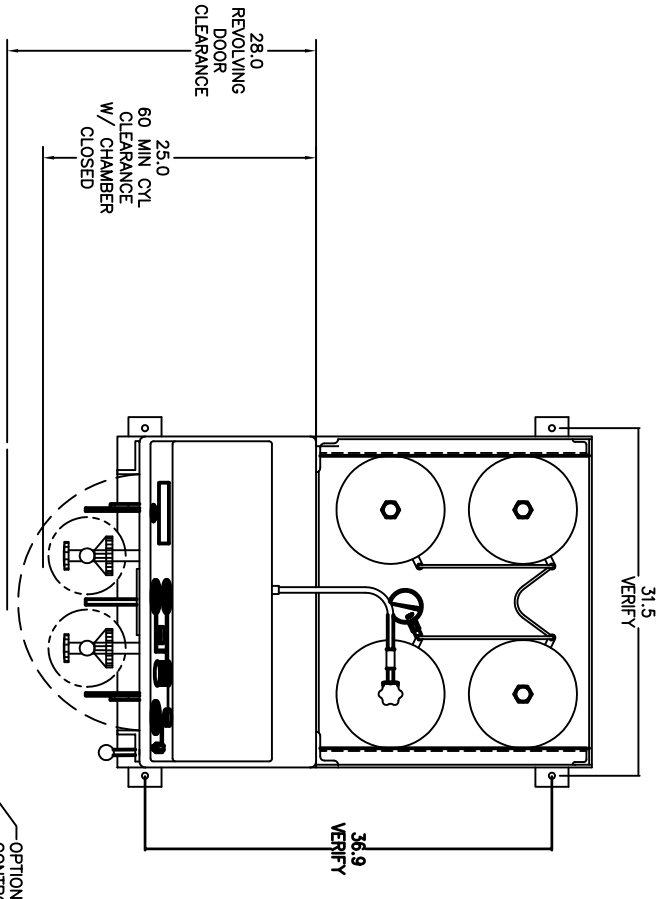


4

3

2

1



REVISIONS			
REV.	DESCRIPTION	DATE	APPROVED
-	PRE-PRODUCTION	XX/XX/XX	XXXXXXXX

COMMERCIAL RESTRICTIVE LEGEND - ALL ITEMS, ASSEMBLIES, SPECIFICATIONS AND DIMENSIONS INCLUDED ON THIS DRAWING ARE PROPRIETARY TO AND THE PROPERTY OF SCOTT TECHNOLOGIES, INC. AND MAY NOT BE USED TO MANUFACTURE OR DUPLICATE THE ITEMS SHOWN HEREON. THE CONTENTS OF THIS DRAWING IN WHOLE OR IN PART, ARE NOT TO BE USED, REPRODUCED, OR DISCLOSED TO ANY THIRD PARTY WITHOUT OBTAINING THE EXPRESS WRITTEN AUTHORIZATION OF SCOTT TECHNOLOGIES, INC.

SCOTT
 SCOTT HEALTH AND SAFETY
 MONROE CORPORATE CENTER
 4320 GOLDMINE ROAD
 MONROE, NORTH CAROLINA 28110

DRAWN: R. WILLIAMS
 DESIGN: R. WILLIAMS
 APPROVED: R. WILLIAMS

TITLE: STATIONARY REVOLVEAIR
 CHARGE STATION, W/OPTIONAL
 4 ASME CYLINDERS & RACK

DECIMAL	ANGLE	SIZE	CAGE CODE	DRAWING NO.	REV.
.XX	.XXX	C	15927	AB10-202X-XX	-
±.01	±1/2°	SCALE	1/1	SH	1 OF 1

A

B

C

D

4

3

2

1

A

B

C

D