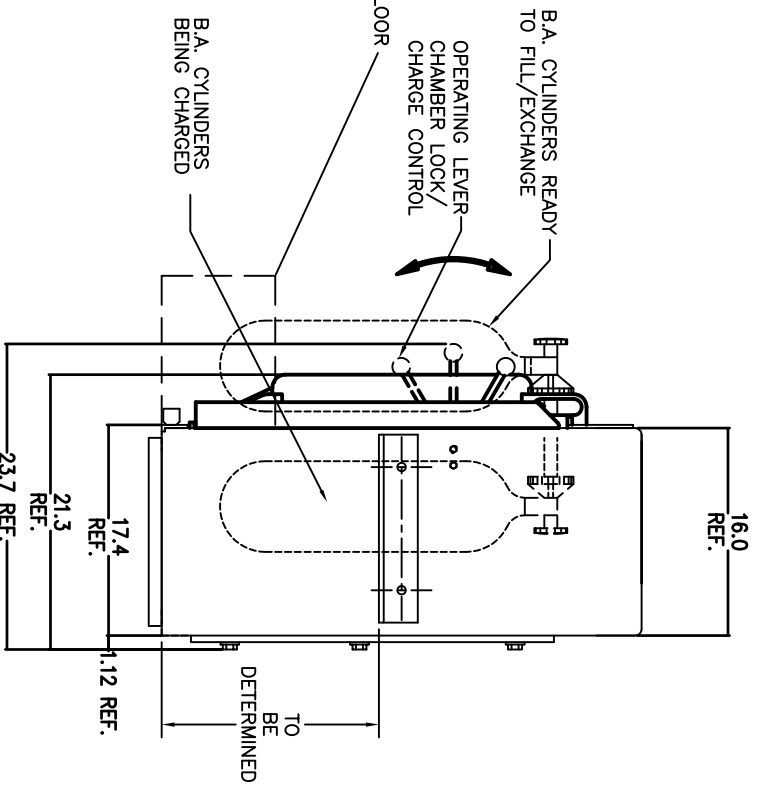
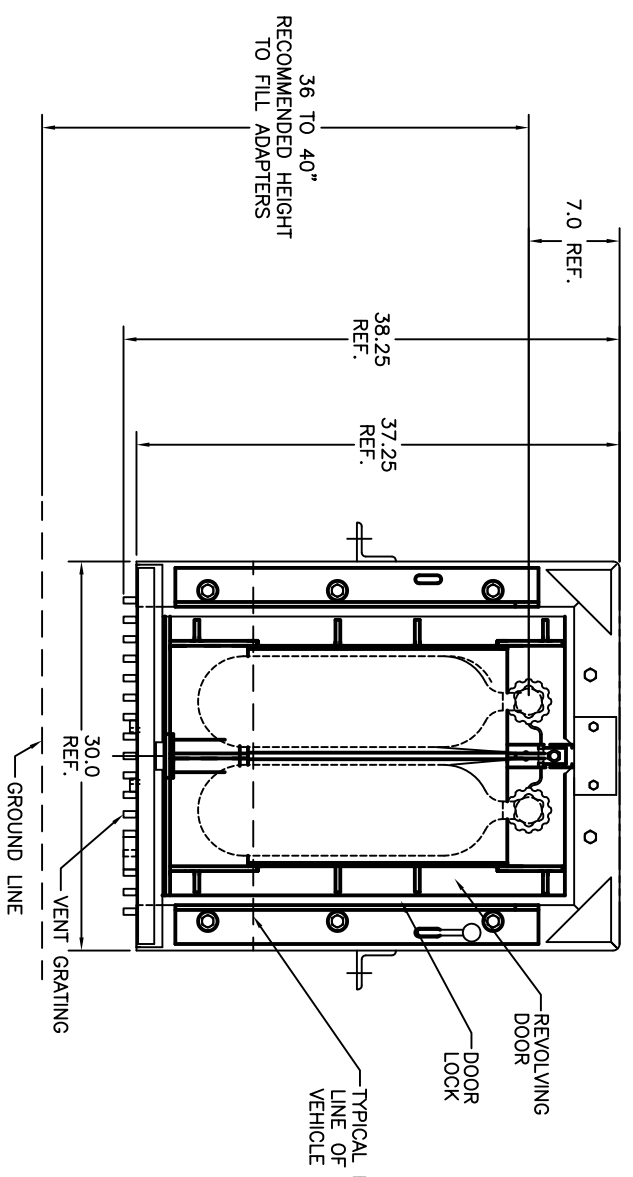
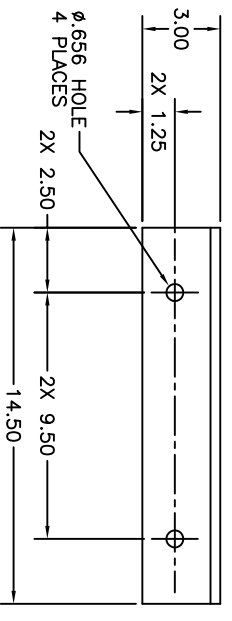
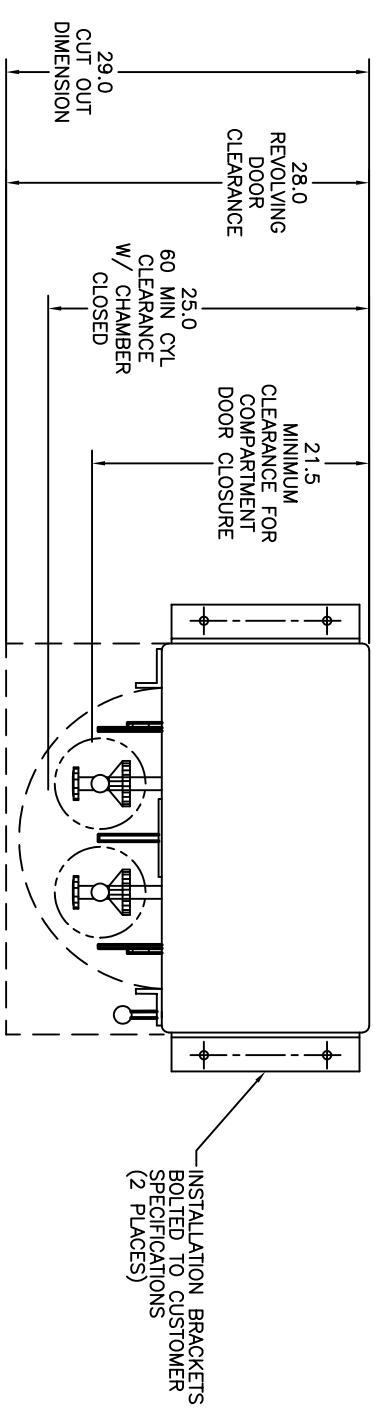


4

3

2

1



REVISIONS		
REV.	DESCRIPTION	DATE
-	PRE-PRODUCTION	XX/XX/XX
		X.XXXXXX

COMMERCIAL RESTRICTIVE LEGEND - ALL ITEMS, ASSEMBLIES, SPECIFICATIONS AND DIMENSIONS INCLUDED ON THIS DRAWING ARE PROPRIETARY TO AND THE PROPERTY OF SCOTT TECHNOLOGIES INC. AND MAY NOT BE USED TO MANUFACTURE OR DUPLICATE THE ITEMS SHOWN HEREON, THE CONTENTS OF THIS DRAWING IN WHOLE OR IN PART, ARE NOT TO BE USED, REPRODUCED, OR DISCLOSED TO ANY THIRD PARTY WITHOUT OBTAINING THE EXPRESS WRITTEN AUTHORIZATION OF SCOTT TECHNOLOGIES, INC.

SCOTT®
 SCOTT HEALTH AND SAFETY
 MONROE CORPORATE CENTER
 4320 GOLDMINE ROAD
 MONROE, NORTH CAROLINA 28110

DRW: R. WILLIAMS
 12-2-03

DESIGN: R. WILLIAMS
 12-2-03

TITLE: MOBILE REVOLVEAIR
 CHARGE STATION W/O
 CONTROL PANEL

APPROVED: R. WILLIAMS
 12-2-03

DECIMAL ANGLE
 .XX .XXX ±1/2°
 ±.01 ±.005

UNLESS OTHERWISE SPECIFIED:
 DIMENSIONS ARE IN INCHES.
 ALL DIMENSIONS AFTER PLATING.
 BREAK ALL SHARP EDGES
 ON EXTERNAL SURFACES.

SIZE: C
 CAGE CODE: 15927
 DRAWING NO: AB10-2101-XX

SCALE: 1/1

REV: -

A

B

C

D

4

3

2

1

A

B

C

D