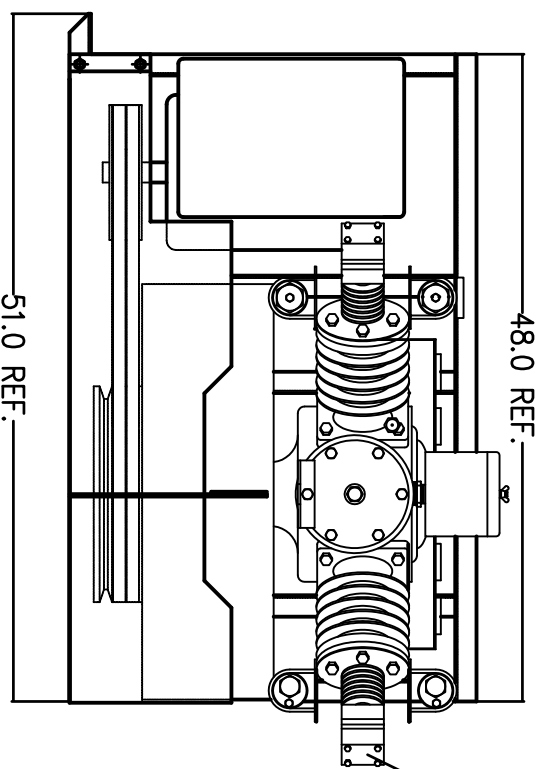


4

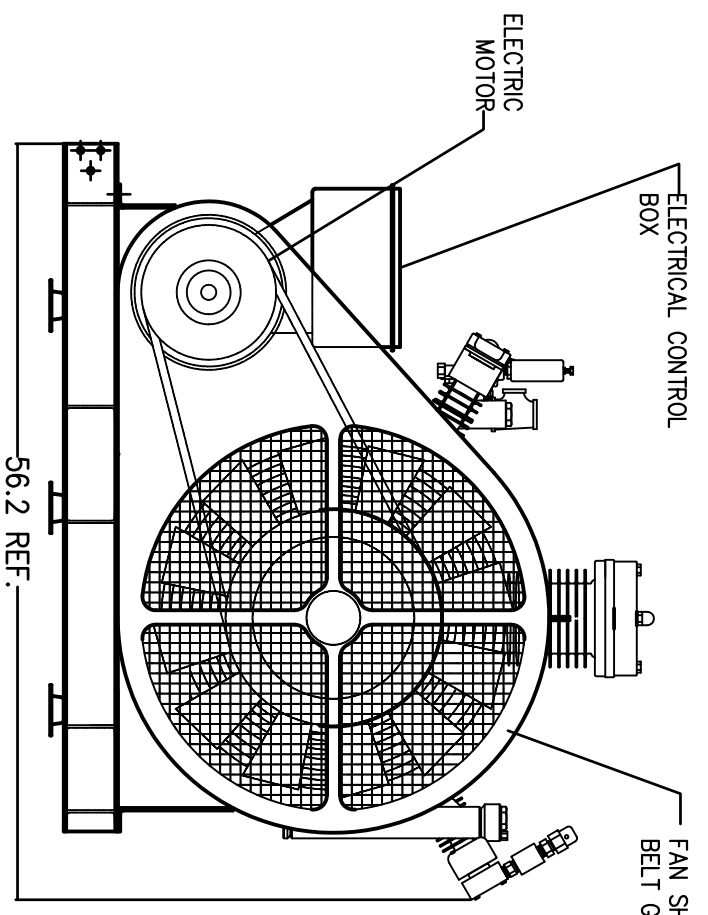
3

2

1



COMPRESSOR ASSEMBLY



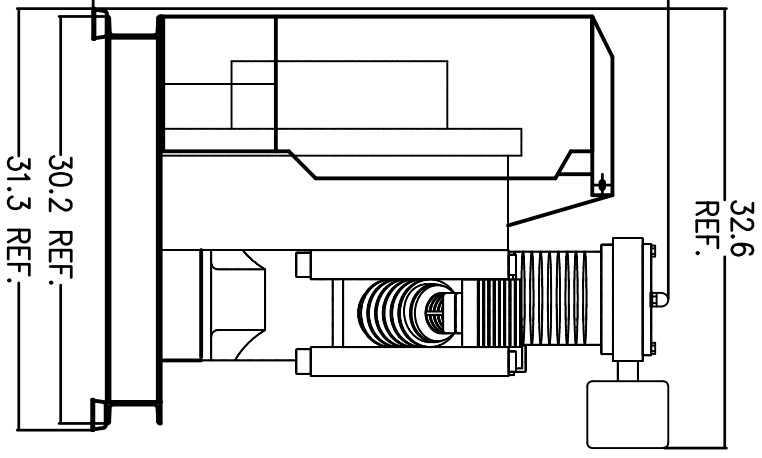
ELECTRICAL CONTROL BOX

FAN SHROUD AND BELT GUARD

ELECTRIC MOTOR

56.2 REF.

42.75 REF.



32.6 REF.

30.2 REF.

31.3 REF.

REVISIONS			
REV.	DESCRIPTION	DATE	APPROVED
-	RELEASE ECN XXXXXX	XX/XX/XX	R. WILLIAMS

P/N SERIES  
 AB10-1012-01, 15HP, AND AB10-1013-01, 20HP

COMMERCIAL RESTRICTIVE LEGEND - ALL ITEMS, ASSEMBLIES, SPECIFICATIONS AND DIMENSIONS INCLUDED ON THIS DRAWING ARE PROPRIETARY TO AND THE PROPERTY OF SCOTT TECHNOLOGIES, INC. AND MAY NOT BE USED TO MANUFACTURE OR REPRODUCE THE ITEMS SHOWN HEREON, THE CONTENTS OF THIS DRAWING IN WHOLE OR IN PART, ARE NOT TO BE USED, REPRODUCED, OR DISCLOSED TO ANY THIRD PARTY WITHOUT OBTAINING THE EXPRESS WRITTEN AUTHORIZATION OF SCOTT TECHNOLOGIES, INC.

DRAWN: R. WILLIAMS  
 DESIGN: R. WILLIAMS  
 APPROVED: R. WILLIAMS

DECIMAL ANGLE  
 .XX ±1/2°  
 .XXX ±1/2°  
 ±.01 ±.005

UNLESS OTHERWISE SPECIFIED:  
 DIMENSIONS ARE IN INCHES.  
 ALL DIMENSIONS AFTER PLATING.  
 BREAK ALL SHARP EDGES  
 ON EXTERNAL SURFACES.

**SCOTT**  
 LIBERTY SUP-IN  
 15 OR 20HP 6000PSI  
 COMPRESSOR (IR)

SCOTT HEALTH AND SAFETY  
 MONROE CORPORATE CENTER  
 4320 GOLDMINE ROAD  
 MONROE, NORTH CAROLINA 28110

SIZE: C  
 CAGE CODE: 15927  
 DRAWING NO: XXXXXXXXXXXXXXXX  
 SCALE: 1/1

REV. -

A

B

C

D

A

B

C

D

4

3

2

1