

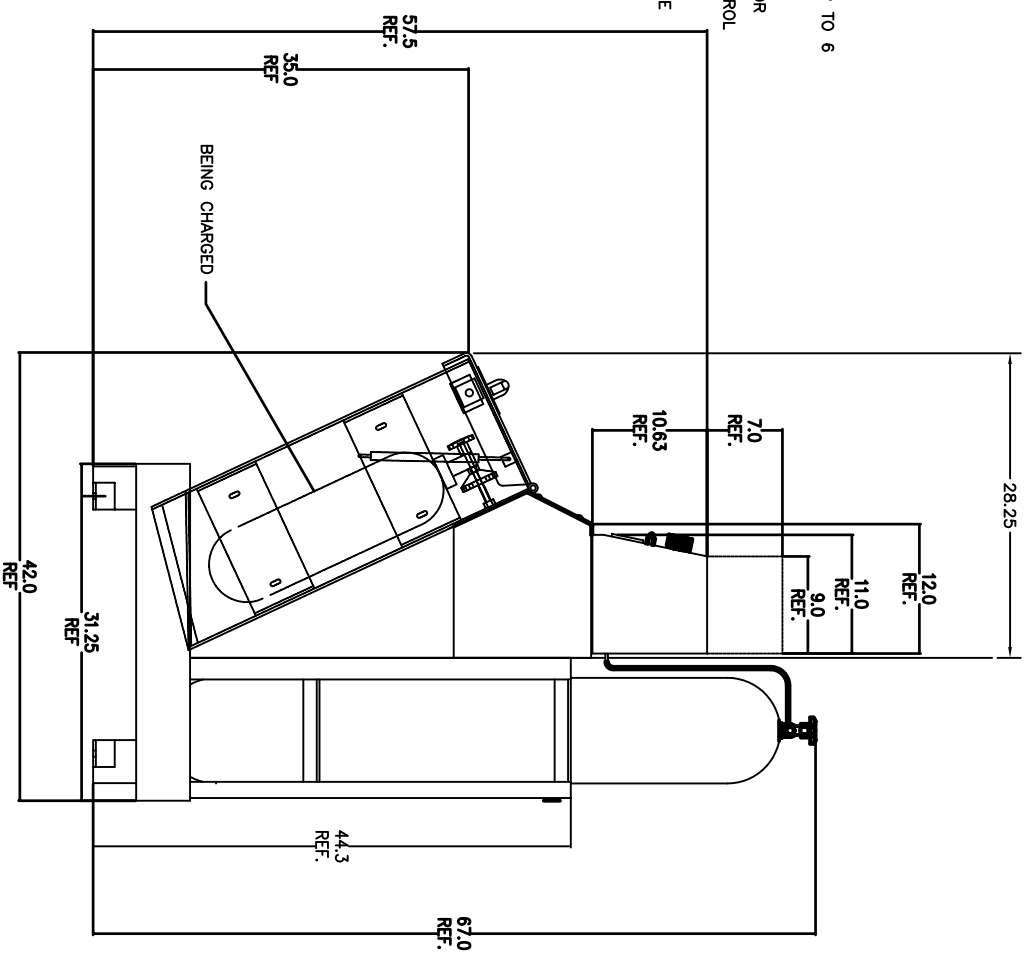
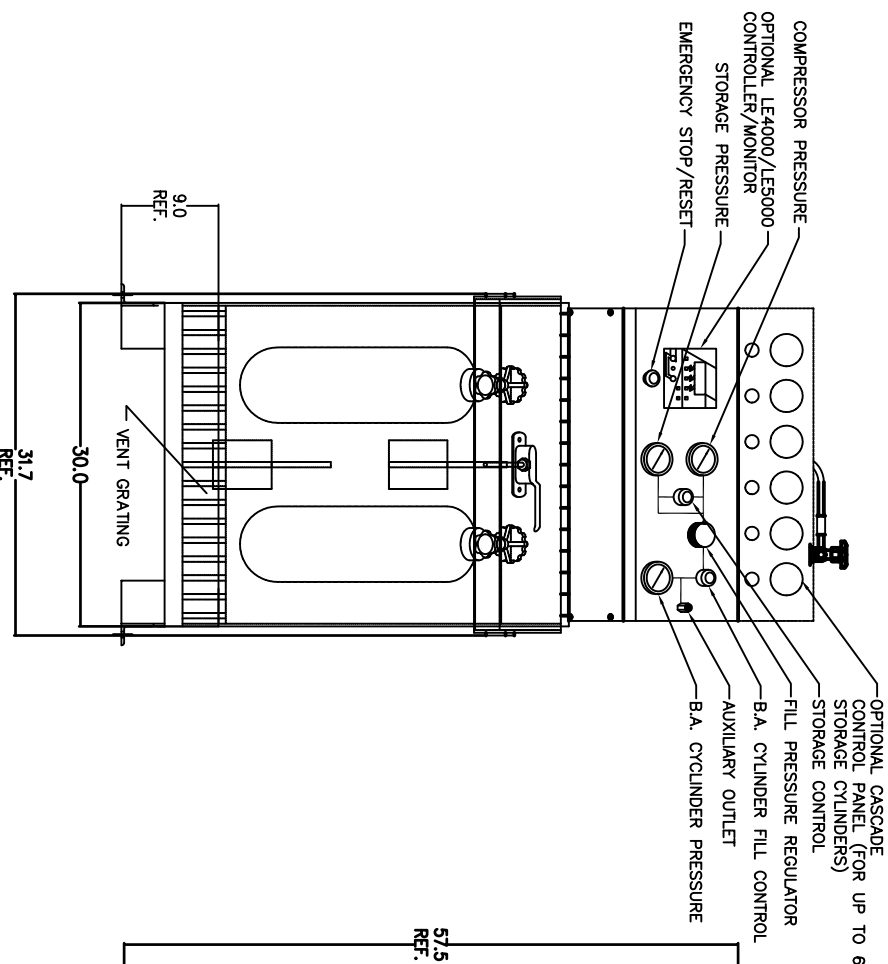
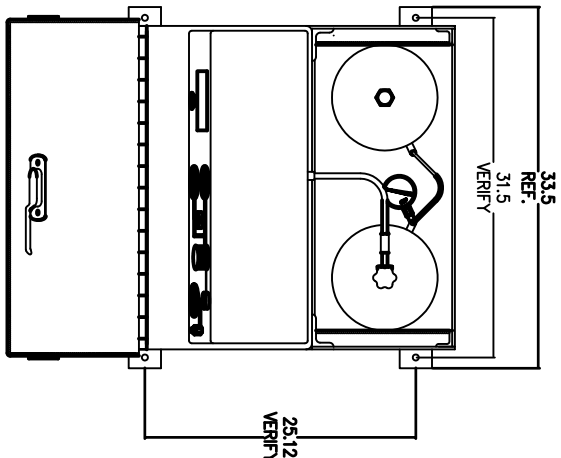
4

3

2

1

REVISIONS			
REV.	DESCRIPTION	DATE	APPROVED
-	RELEASE ECN XXXXXX	XX/XX/XX	R. WILLIAMS



P/N SERIES AB10-502X-XX

COMMERCIAL RESTRICTIVE LEGEND - ALL ITEMS, ASSEMBLIES, SPECIFICATIONS AND DIMENSIONS INCLUDED ON THIS DRAWING ARE THE PROPERTY OF SCOTT HEALTH AND SAFETY. NO PART OF THIS DRAWING OR IN PARTICULAR THE CONTENTS HEREON, THE CONTENTS OF THE DRAWING IN WHOLE OR IN PART ARE NOT TO BE REPRODUCED OR DISCLOSED TO ANY THIRD PARTY WITHOUT OBTAINING THE EXPRESS WRITTEN AUTHORIZATION OF SCOTT TECHNOLOGIES, INC.

SCOTT®
 SCOTT HEALTH AND SAFETY
 MONROE CORPORATE CENTER
 4320 GOLDMINE ROAD
 MONROE, NORTH CAROLINA 28110

TITLE:
**STATIONARY GUARDIAN FILL
 STATION W/2 ASME CYLS.**

DRAWN:	R. WILLIAMS	1-5-03
DESIGN:		
APPROVED:	R. WILLIAMS	1-5-03
DECIMAL	ANGLE	
.XX	.XXX	±1/2°
±.01	±.005	
UNLESS OTHERWISE SPECIFIED: DIMENSIONS ARE IN INCHES. ALL DIMENSIONS AFTER PLATING. BREAK ALL SHARP EDGES ON EXTERNAL SURFACES.		
SIZE	CAGE CODE	DRAWING NO.
C	15927	AB10-5020-XX
SCALE	1/1	Sr. 1 of 1

A

B

C

D

A

B

C

D

4

3

2

1